

SMD MHz Quartz Crystal Resonator

3S-Series (3225)



■ Features

- Size (L x W) 3.2 x 2.5, Height (Max.) 0.8 mm

■ Applications

- Digital Electronics, Consumer Products
- Mobile Communications
- Bluetooth, Wireless LAN



■ General Specifications

#	Items	Parameters
1	Frequency range	12 to 54MHz
2	Oscillation mode	Fundamental
3	Frequency tolerance at 25°C	±10, ±15, ±20, ±30, ±50 ppm
4	Frequency stability Vs. operating temperature range	See below Table 1
5	Equivalent series resistance	See below Table 2
6	Drive level	10, 100, 200 μW or specify
7	Insulation resistance	500 MΩ Min. at DC 100V
8	Load capacitance	8, 10, 12 pF or specify
9	Shunt capacitance (C0)	3 pF Max or specify
10	Aging at 25°C	±3 ppm / year or specify

■ Tab. 1: Frequency Stability Vs. Operating Temperature Range

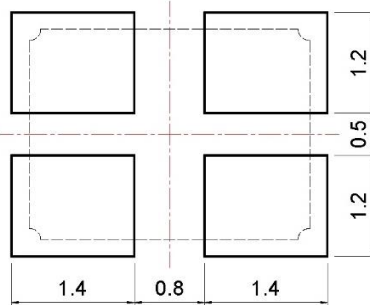
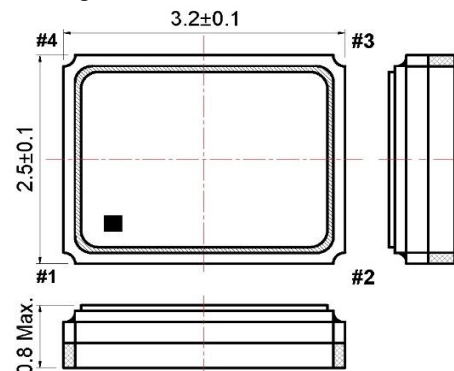
Temp. \ (ppm)	±15	±20	±50
-40 to +85 °C	●	●	●

■ Tab. 2: Equivalent Series Resistance

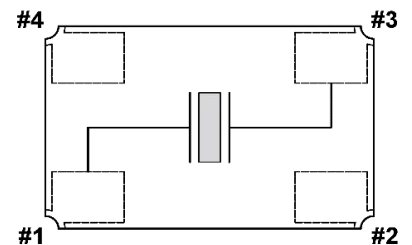
Frequency (MHz)	ESR _{MAX} (Ω)	Oscillation mode
12 to 16	80	Fundamental
16 to 32	40	
32 to 54	20	

Note: The mark "●" denotes our achieved level

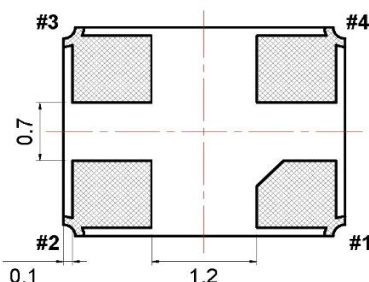
■ Package Dimensions & Recommended Land Pattern (Unit: mm)



■ Pad Functions



Pad Connections	
1	In / Out
2	Ground
3	Out / In
4	Ground



EMAIL : yl@dgylec.com TEL : +86 (0) 769 - 38879888
WEB : http://www.dgylec.com/ FAX : +86 (0) 769 - 38879889

Visit website

